



**EXPLORE A
NEW DIMENSION.**

INDUS MOTOR COMPANY LIMITED

ToyotaPakistanOfficial @ToyotaPak ToyotaPakistan www.toyota-indus.com

Contact Information

Indus Motor Company Limited
Plot No. N.W.Z./1/P-1, Port Qasim Authority,
Karachi, Pakistan.
Phone: +92-21-34721100
UAN: +92-21-111-86-96-82 (+92-21-111-TOYOTA)

Customer Assistance Centre

Toll Free: 0800-11123
Phone: +92-21-34721100
Email: customer.relations@toyota-indus.com

FOR MORE INFORMATION
SMS "FORTUNER" TO **8398**



**EXPLORE A
NEW DIMENSION.**



**EXPLORE
THE ALL NEW
*FORTUNER***

Welcome to a dimension of prestige, previously unknown.
A reflection of an opulent reality, now unveiling itself.
It's time to start exploring.



C O N T E N T S

01	EXPERIENCE NEW PEAKS OF SUCCESS
03	EXPLORE THE ALL NEW ALLURING ANGLES
07	MAKE YOUR PRESENCE KNOWN
10	TREAD WITH SUPERIOR STYLE
11	THE STATURE OF THE ALL NEW SIGMA 4
18	UNPARALLELED CONTROL OVER TERRAIN
22	TOYOTA'S LEGENDARY STEPPED TRACTION APPROACH
23	EXCEPTIONAL CONVENIENCE
26	EXPERIENCE ACCESSIBILITY
27	THE NEW PERSPECTIVE OF PRESTIGE
29	NAVIGATE A NEW WORLD
32	COMMANDING CAPABILITIES
34	UNPARALLELED PRECISION
35	BROADEN YOUR HORIZON
38	EXPERIENCE TRUE COOLING
39	THE HELM OF NEW DISCOVERIES
42	DISCOVER YOUR SEAT OF EXPLORATION
45	PREMIER ACTIVE SAFETY
47	PREMIER PASSIVE SAFETY
51	COLOURS OF A NEW DIMENSION
53	SPECIFICATION SHEET OF FORTUNER



EXPERIENCE NEW
PEAKS OF SUCCESS

Experience the flagship utility vehicle, thoughtfully crafted to take you to new heights and explore its true power & versatility.



EXPLORE THE ALL NEW
ALLURING ANGLES

With the all new Fortuner, look at the world from a whole new perspective – a bold new dimension. The all new Fortuner does more than just capture your attention – it holds onto it.

Taut contours, soft curves, an exciting play of light and shadow; the Fortuner takes your gaze on a thrilling journey, and you will not want it to end. With skill and sensitivity, the body designers have created a masterpiece – a vehicle which, despite its dynamism, remains the epitome of stylish, refined automotive culture. One of the characteristic features, which singles out from a distance, is its unmistakable front fascia. Together, with details such as these, the Fortuner makes a thrilling overall impression – in both technical and aesthetic terms.





The Fortuner's side profile is significantly enhanced by its blacked-out side pillars to create the impression of a floating roof and larger cabin area. Furthermore, the side mirrors on all the models are colour-coded, auto-folding, electrically-operated and house the side indicator.



MAKE YOUR PRESENCE KNOWN

Explore the strong manifestation of the all new Fortuner's sharp, aggressive yet modern, Auto-Levelling, Bi-Beam PES LED headlamp design; future inspired larger grille, and pronounced bumper intakes, giving the all new Fortuner the stance worthy only of pride.



LED Line Daytime Running Lamps (DRLs) enhance the advanced and sharp design.



The angular headlamp design has been realised by separating the turn signal/position lamp from the headlamp.



The front fascia houses the aggressive, attention-grabbing pontoon-shaped bumper, an enlarged grille and the distinctive trim for the headlights that maintains the Fortuner's identity. An integrated skid-plate further augments the already strong presence of the front.





**TREAD WITH
SUPERIOR STYLE**

Explore the all new profile with 18-inch Aluminium Multi-axis Spoke Wheels and Super Chrome Metallic finish. Ready to master any dimension.



THE STATURE
OF THE ALL NEW

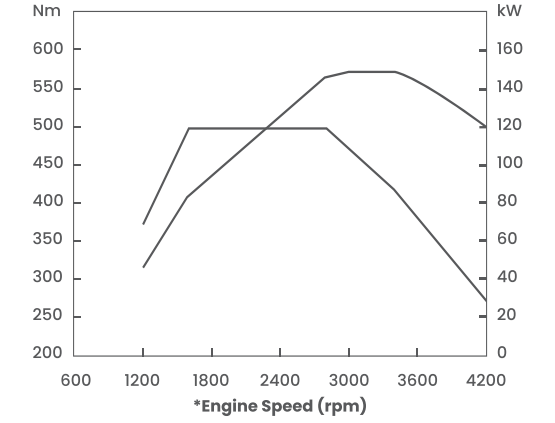
SIGMA 4





Sharp exterior styling, an all-new re-imagined off-road capability and handcrafted details forge the ultimate expression of beauty in strength.

Engineered to conquer the daily commute and demanding terrain, the all new IGD-FTV engine has been refined specifically to evoke absolute control on performance with unparalleled confidence. The all new Fortuner proves there's more than one way to the top.



The New Generation 2.8-liter Diesel engine (IGD-FTV) has been optimally tuned for higher output and enhanced fuel economy. Refinements have been made to the Variable Nozzle Turbocharger and Intercooler, which contribute to both higher power and torque output with better fuel economy. The result - a prodigious +20kW Power output improvement and +50Nm Torque improvement from the previous generation engine.

Enjoy an exceptional 150 kW of power between 3,000-3,400 r/min and 500 Nm of torque between 1,600-2,800 r/min, for maximum drivability across a wider spread of revs from the Fortuner's renowned 2.8L turbo diesel engine*.

Enjoy a quieter cabin, fewer vibrations and reduced harshness during idling and acceleration, thanks to the addition of an all new Balance Shaft in the IGD engine.



All Fortuner models are available with a six-speed sequential transmission with paddle shifters.

Additional smoothness has been attained through the introduction of a variable flow control power steering, which enhances the steering feel through more realistic feedback relative to the vehicle's speed and being more fuel efficient than traditional power steering systems.

The newly introduced sport mode switch not only improves engine responsiveness, but also adjusts the steering feel, to provide a more sporty feel while driving.



UNPARALLELED CONTROL OVER TERRAIN

Tough Body-on-Frame Construction – the Definition of a True SUV

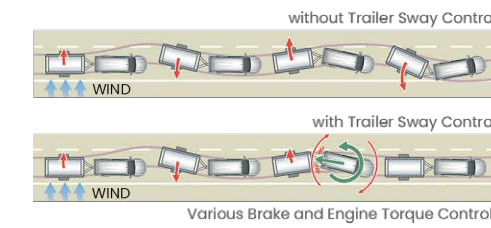
The Fortuner has been built from ground-up to handle both driving on and off the road – built on a body-on-frame platform with proper 4x4 functionality, the Fortuner comes loaded with a host of off-road features that augment the driving experience, and provide the driver unprecedented control over all terrains.

Superior angle of approach (29 degrees) and departure (25 degrees)

Superior minimum running ground clearance (279mm*)

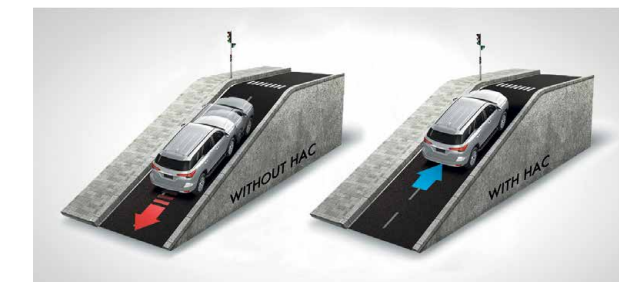
Class leading 4x4 driving features:

■ Trailer Sway Control (TSC)



Trailer Sway Control (TSC) to keep you and your trailer safe by minimising lateral movement from cross winds and road surface changes.

■ Hill-Start Assist Control (HAC)



Hill-Assist Control (HAC), so that you don't need to worry about rolling back when pulling off from a sharp incline.

■ Limited Slip Differential (LSD)



A Limited Slip Differential (LSD)** that aims to ensure maximum available traction during wheel-spin situations by transmitting power to the tyre with the most grip. This will assist the driver in traversing mud and other soft surfaces; and provides better control during extreme cornering.

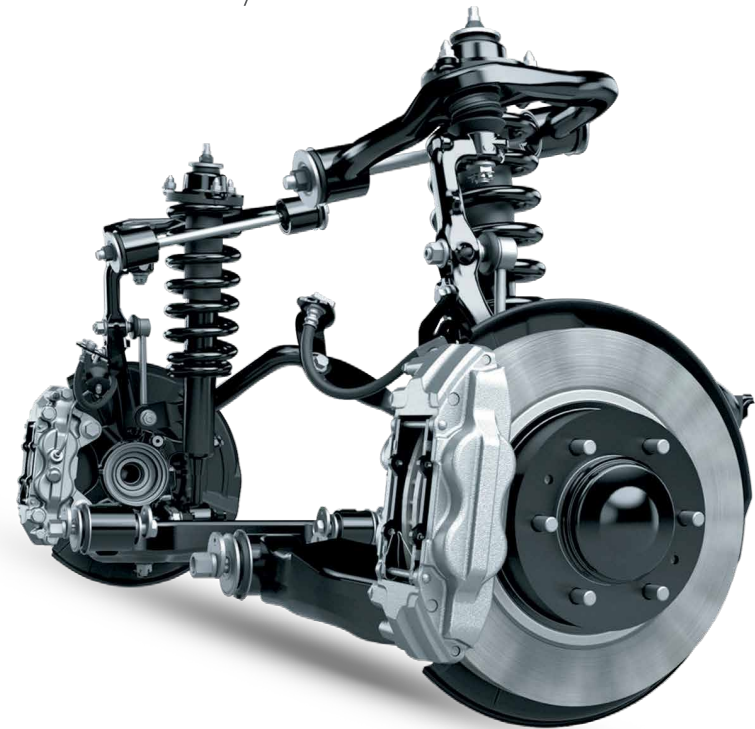
*W/O axle, 1 passenger (mm)

**H2 mode only

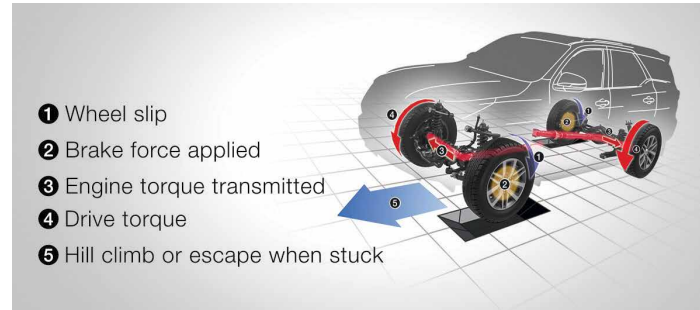
■ Rear Differential Lock



The Rear Differential Lock system helps secure traction when driving in muddy terrain, or in the unlikely situation when the vehicle is stuck. The vehicle is equipped with a solenoid switch differential lock system.



■ Active Traction Control (A-TRC)



Active Traction Control (A-TRC)*: When driving off-road or in slippery conditions, A-TRC applies brake pressure to prevent wheels from spinning during acceleration.

■ Advanced Suspension

Advanced suspension that allows you to enjoy complete handling prowess and ride comfort, through the use of double wishbones for the front suspension and four-link suspension at the rear.

■ Part-Time 4WD Selector

Part-time 4WD allows the driver to switch between 4WD, 4WD low, when sensing a slip in the wheels in rain, sand or mud, or 2WD when the priority is fuel efficiency.

■ Downhill Assist Control (DAC)

Downhill Assist Control (DAC): Preventing the wheels from locking while manoeuvring extreme descents, this system simultaneously manages engine braking and brake pressure, maintaining a stall-free and stable vehicle speed.



* H4 or L4 mode only

Please refer to the Owner's Manual for proper usage of Electronic Transfer Switch operation (4WD).



TOYOTA'S LEGENDARY STEPPED TRACTION APPROACH

Toyota's stepped traction strategy allows the driver to go wherever the journey takes them with confidence.

With the addition of Limited Slip Differential, the Fortuner is now equipped with 5 levels of traction capabilities:

- Traction Control (TRC) is the first step – this helps get you going even in 2WD. TRC will cut engine power and apply selective braking if needed.
- If more capability is needed in 2WD mode, the driver can push the TRC OFF switch to engage AUTO LSD on the rear drive wheels. AUTO LSD does not limit engine output. It enhances start-off performance by applying drive torque to the wheel or wheels that have the best traction.
- If additional traction is required, the driver can engage 4WD HIGH. A-TRC automatically operates from this point if the VSC system judges it necessary. A-TRC monitors the wheel speed sensors and yaw rate and deceleration sensors to identify wheel slip during acceleration, then adjusts the throttle to reduce engine power and increases brake pressure to each individual wheel to slow the wheel and restore traction.
- For even more traction, the driver can engage 4WD LO with A-TRC. In 4WD LO range, priority is given to engine power and rapid braking.
- If the above is not sufficient, the Fortuner also comes with Rear Differential Lock* that is effective when driving in off-road conditions when one of the rear wheels is not gaining sufficient traction.

*Sigma 4 variant only

EXCEPTIONAL CONVENIENCE

A suite of class-leading accessibility features create our most advanced Fortuner yet.

■ Power Back-Door Close Button with Memory Function



■ Cabin Power Back-Door Button



■ Silver Side Step





■ Push Start

EXPERIENCE ACCESSIBILITY

Exceptional convenience and accessibility features create our most advanced Fortuner yet.

■ Welcome Lamp



■ Auto-Folding Side Mirrors



■ Smart Entry



THE NEW PERSPECTIVE OF **P R E S T I G E**

The rear combination lamps have been enhanced from the current model by adding surface-emitting materials to the design. This creates a distinct stop lamp illumination in the night.

■ High Mount Stop Lamp



■ LED Fog Lamps



■ Door Courtesy Lamp



■ Shark-Fin Antenna





NAVIGATE
A NEW WORLD



COMMANDING CAPABILITIES

Experience the commanding prestige of driving the all new Fortuner, with assisting key features, such as cruise control and ergonomically designed paddle shifters that makes taking command of all the power at your disposal a breeze.

The Hydraulic Power Steering has been refined with the addition of Variable Flow Control (VFC), achieving enhanced fuel economy, performance and natural steering feel that matches the speed.

■ VFC-specific features

- Standby control for improved efficiency
- Even lighter steering when parking
- Heavy, responsive high-speed steering
- Dedicated off-road setting by shifting to L4, the system is recalibrated to allow the driver to obtain a better idea of how much grip the tyres have through the steering wheel, by providing a constant level of assist
- Sport mode provides more responsive steering to achieve a more direct steering feel

■ Cruise Control



■ Paddle Shifters





UNPARALLELED PRECISION

The combination meters with simple graphics and integrated ornamentation ensure a high-class and precise appearance.

The driver's command center is an all-new affair that is brightly trimmed with a metallic coating and opulent satin finishes. The metallic blue dials are also newly-designed and elegantly framed by 'satin'-plated rings. The Multi-Information Display is a high-resolution 4.2 inch TFT unit with correspondingly simple, easy-to-read, graphics and provides the driver with key vehicle information, such as digital speed display, the chosen driving mode (ECO or SPORT), whether the electrically operated tailgate is locked or not, wheel alignment indication, external temp reading and other trip related details.

BROADEN YOUR HORIZON

The technological dexterity continues with the infotainment system, which has been upgraded to an 8.95" touch screen unit, which comprises of Bluetooth, Screen Mirroring and USB compatibility, and is linked to six speakers. The screen also doubles as the display monitor for the vehicle's reverse camera.

The multimedia system is also linkable to smart devices through the Apple CarPlay and Android Auto functionality. When connected via USB, both of these interfaces display the screen of the smartphone on the infotainment screen and link the phone's audio output to the vehicle's speakers.

Through the use of steering wheel-mounted controls and Bluetooth phone pairing, several of the Fortuner's driving functions can be safely operated without the driver lifting a hand from the steering wheel or taking the eyes off the road.

The electrochromic rear view mirror has an auto-dimming function to reduce glare during night-time driving.

■ EC-Mirror



■ Steering Controls



- Rear Camera
- Voice Command
- Apple CarPlay*
- WiFi Ready
- Smart Phone
- Miracast
- Android Auto*

*All trademarks are property of their respective owners



EXPERIENCE TRUE COOLING

Discover class-exclusive climate technology with the all new automatic dual air conditioning system, vented strategically to provide effective comfortable temperature adjustment at will, offering a rare level of comfort and convenience.

- Rear Auto Air-Conditioning Controls for 2nd and 3rd row seating



THE HELM OF NEW DISCOVERIES

Envelop yourself in sublime comfort with the all new Fortuner's immersive seating. The dynamic, but relaxed, design aesthetic flows through every detail. Discover spacious, luxurious, refinement in the all new Fortuner's Interior.

■ Stitched Premium Leather Upholstery



■ Wood Grain Patterned Ornamentation



■ Illuminated Controls





DISCOVER YOUR SEAT OF EXPLORATION

Experience the premier luxury of the all new Fortuner's seats, discover finer materials built around you, bringing form and function seamlessly together with ultimate flexibility.

The Chamois leather brings back the original prestige of fine comfort.

The seats are designed for better support, legroom and overall refined feel - the all new 8-way power-adjustable front row seats offer much more than what meets the eye.



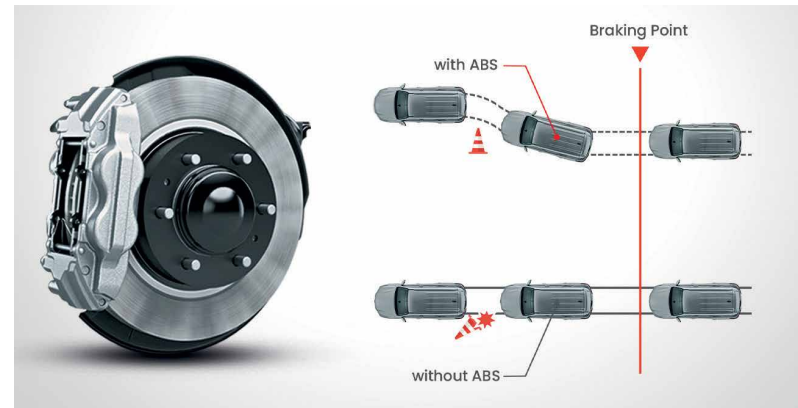
Being a generously proportioned seven-seater, practicality comes standard, with access from the second to the third row of seats made easy with a one-touch mechanism. There are cup holders and ISOFIX child seat anchors on both sides of the second row, and seats from the third row fold up and anchor horizontally to allow for more stowage space in the load area of the vehicle.



PREMIER ACTIVE SAFETY

The Fortuner experience is about staying in control at all times, providing peace of mind and prioritising the safety of your loved ones.

■ ABS with BA & EBD

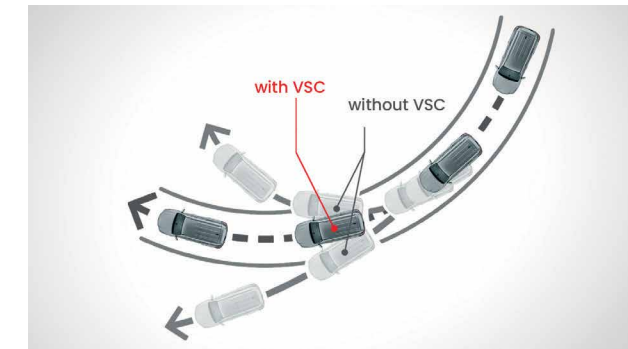


Anti-lock Braking System (ABS), whereby excess brake pressure is modulated to allow for continued tyre rotation under extreme braking conditions, where excessive pressure would ordinarily lock the brakes and induce a skid, eliminating the ability to turn and prolonging the braking distance and possibly leading to a loss of control.

Brake-Assist (BA) is the pre-emptive identification of an emergency braking situation through which additional braking force is automatically applied to reduce the braking distance.

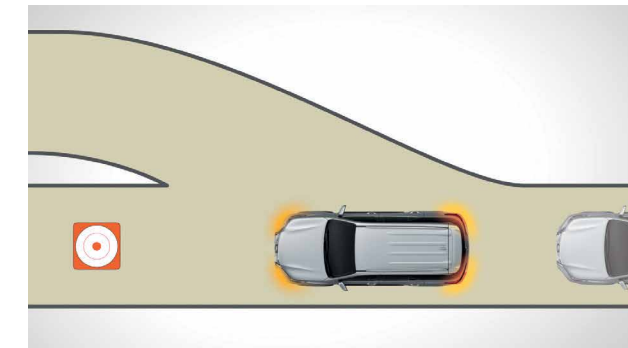
Electronic Brake-force Distribution (EBD) is a feature of the Anti-lock Brake System, which helps make up for shifting weight under hard braking. It reduces brake pressure on wheels carrying the least amount of weight, helping your vehicle stay in control.

■ Vehicle Stability Control (VSC)



Vehicle Stability Control (VSC) to keep you in control and the vehicle pointing straight when on slippery surfaces by individually applying braking to each tyre where necessary.

■ Emergency Brake Signal (EBS)



The Emergency Brake Signal automatically activates the brake and hazard warning lights when it detects an emergency stop situation after 60km/h. The lights blink rapidly 3 times to warn following vehicles that the car is stopping abruptly, reducing the risk of a collision.

■ Drive Start Control (DSC)



Drive Start Control (DSC) helps avoid collisions by suppressing sudden acceleration or starting off during shift operations.

PREMIER PASSIVE SAFETY

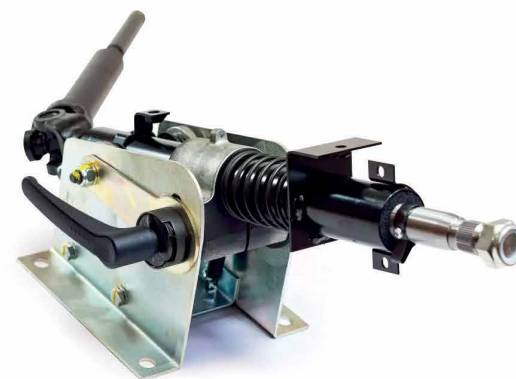
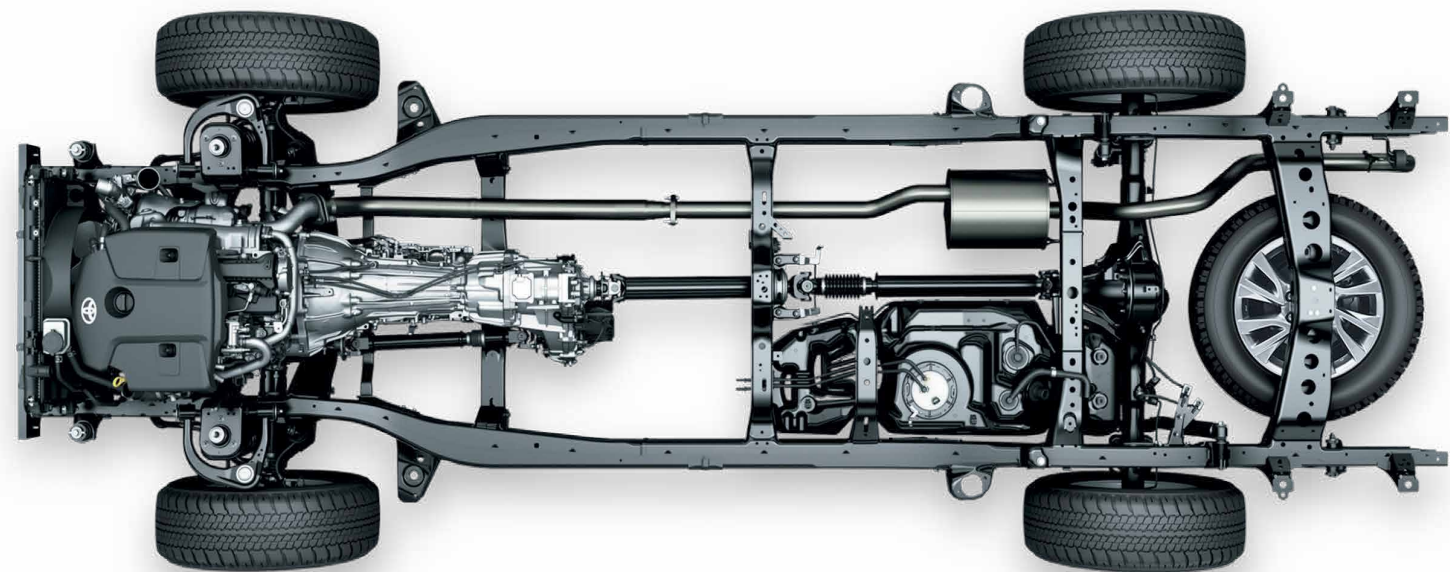
All Fortuner models are installed with advanced security technology that includes smart entry wireless door locking and speed sensing door-locks. There is also an independently-powered alarm and immobilizer to ensure that your Fortuner remains secure.

Abundant passive safety equipment and structures provide reassuring sense of security for all passengers.

■ Impact Absorbing Structures

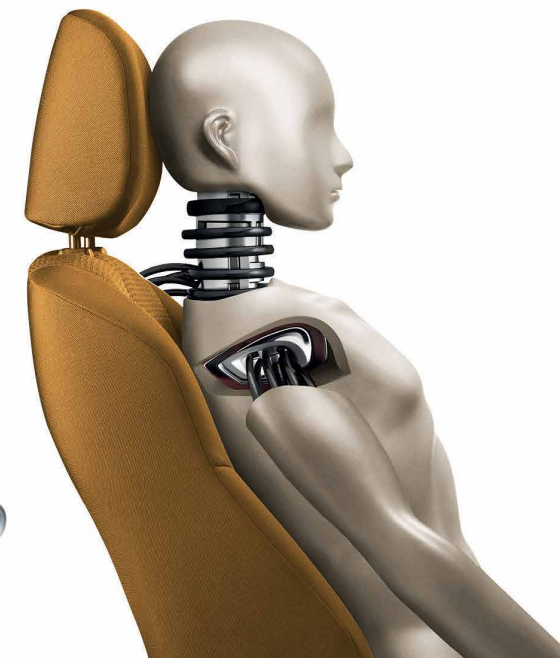
The Fortuner's frame structure suppresses deformation of the side rails and cross members.

The Fortuner's body shell structure helps disperse impact energy in the unlikely event of a collision.



■ Collapsible Steering Column

Breakaway and collapsible structures of the steering column help absorb impact energy.



■ Whiplash Injury Lessening Front Seats

WIL concept seats help reduce risk of whiplash neck injuries in lower speed rear-end collisions.

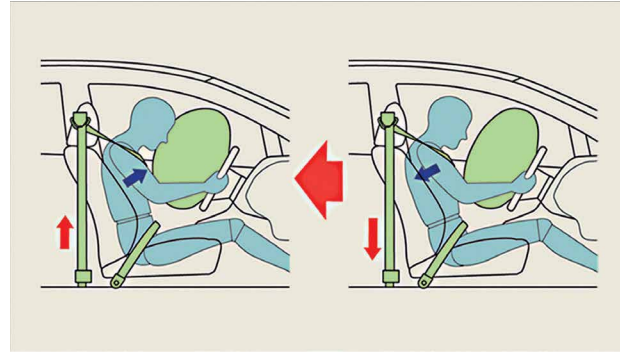


■ Pedestrian Protection Structure

Impact absorbing structures of the front section help reduce impact energy directed at a pedestrian.



■ Rear ISOFIX Child Seat Fixture



■ Seatbelts
 3-Point ELR Front Seatbelts with pretensioner and force limiter
 3-Point ELR rear seatbelts
 Front seatbelt reminder



■ Security Equipment
 Immobilizer system with
 security alarm

■ SRS Airbags
 SRS front driver and passenger airbags
 SRS driver knee airbag



Front passenger airbag should only be deactivated when using a child restraint system on the front passenger seat.

COLOURS OF A
NEW DIMENSION



■ 040 Super White

■ 8E9 Strong Blue

■ 218 Attitude Black

■ 1G3 Graphite

■ 4W9 Phantom Brown

■ 1D4 Silver Metallic

■ 785 Dark Teal Mica

All colours are subject to availability and colours may vary from print.

SPECIFICATION SHEET OF FORTUNER

INDUS MOTOR COMPANY LIMITED SPEC SHEET OF FORTUNER		FORTUNER SIGMA 4 (4x4 1GD Hi Diesel)		FORTUNER V (4x4 2TR Hi Petrol)		FORTUNER G (4x4 2TR Std Petrol)	
VEHICLE MODEL CODE		GUN156R-SPTHXP		TGN156R-SPTHXP		TGN166R-SPTSKP	
DIMENSIONS							
Exterior	L x W x H (mm)	4,795 x 1,855 x 1,835		4,795 x 1,855 x 1,835		4,795 x 1,855 x 1,835	
Wheelbase	(mm)	2,745		2,745		2,745	
Tread	Front (mm) / Rear (mm)	1,545 / 1,555		1,545 / 1,555		1,545 / 1,555	
Overhang	Front (mm) / Rear (mm)	990 / 1,060		990 / 1,060		990 / 1,060	
Min. Running Ground Clearance	(mm)	279		279		279	
Min. Turning Radius	Body (m)	6.2		6.2		6.2	
Interior	L x W x H (mm)	2,478 x 1,478 x 1,105		2,478 x 1,478 x 1,105		2,478 x 1,478 x 1,105	
Seating Capacity (persons)		7		7		7	
Gross Vehicle Weight	Total (kg)	2,730		2,620		2,510	
Curb Weight	Min. Options (kg)	2,100		1,985		1,850	
Fuel Tank Capacity	Total (L)	80		80		80	
ENGINE SPECIFICATION							
Engine Code		1GD - FTV Hi with Balance Shaft (New)		2TR-FE		2TR-FE	
Variable Nozzle Turbocharger		0		X		X	
Intercooler		0		X		X	
Displacement (cm³)		2,755		2,694		2,694	
No. of Cyls. & Arrangement		4 Cylinders, In Line		4 Cylinders, In Line		4 Cylinders, In Line	
Fuel System		Fuel Injection - Diesel		Fuel Injection - Petrol		Fuel Injection - Petrol	
Max. Output (kW @ rpm)		150 @ (3,000 - 3,400) (New)		122 @ 5,200		122 @ 5,200	
Max. Torque (Nm @ rpm)		500 @ (1,600 - 2,800) (New)		245 @ 4,000		245 @ 4,000	
PERFORMANCE							
Transmission	Code	AC60F		AC60E (New)		AC60E	
	Type	6-Speed Sequential with Paddle Shifters		6-Speed Sequential with Paddle Shifters		6-Speed Sequential with Paddle Shifters	
Transfer	System	Part-Time H2, H4, L4		Part-Time H2, H4, L4 (New)		X	
	Switch Type	Yes, Automatic Disconnect Differential		X		X	
Rear Differential Lock		Eco + Normal + Sport (New)		Eco + Power		Eco + Power	
Drive Modes		Ventilated Disc Brakes		Ventilated Disc Brakes		Ventilated Disc Brakes	
Brake Type	Front + Rear	ABS + EBD + BA		ABS + EBD + BA		ABS + EBD + BA	
Brake Control Valve		265/60R17 Alloy		265/60R17 Alloy		265/60R17 Alloy	
Tyre		Double Wishbone / Four Link		Double Wishbone / Four Link		Double Wishbone / Four Link	
Suspension Type	Front / Rear	0		0		0	
Stabilizer Bar		0		0		0	
Cruise Control		0		0		0	
EXTERIOR							
Power Back Door		0 (New)		X		X	
Headlamps	Bulb	Bi-Beam LED PES		Bi-Beam LED PES (New)		Bi-Beam LED PES (New)	
	Levelling System	Automatic		Automatic (New)		Automatic (New)	
	System	Smart (Auto Operate & Follow-Me)		Smart (Auto Operate & Follow-Me)		Smart (Auto Operate & Follow-Me)	
Daytime Running Lamps		Hi - LED (Line-Guide) (New)		Hi - LED (Line-Guide) (New)		Standard LED (4 x LED) (New)	
Turn Signal Lamps & Position Lamps		LED Type (New)		LED Type (New)		Bulb Type (New)	
Tail Lamps		LED Plus Type (New)		LED Plus Type (New)		Standard LED Type	
High Mount Stop Lamp		LED Type		LED Type		LED Type	
Front Bumper		Standard with Silver Painted Integrated Skid Plate (New)		Standard with Silver Painted Integrated Skid Plate (New)		Standard with Material Integrated Skid Plate (New)	
Rear Bumper		Standard		Standard		Standard	
Front Grille		Black Paint with Chrome Outer Grille & Lamps Garnish (New)		Black Paint with Chrome Outer Grille & Lamps Garnish (New)		Black Paint with Chrome Outer Grille & Lamps Garnish (New)	
Front Fog Lamps		LED		LED (New)		LED (New)	
Side-turn Signals		On Outer Mirrors		On Outer Mirrors		On Outer Mirrors	
Outer Rear View Mirrors		Electric + Power Retractable + Welcome Lamps		Electric + Power Retractable + Welcome Lamps (New)		Electric + Power Retractable	
Door Handles		Chrome		Chrome		Chrome	
Door Belt Mouldings		Silver		Silver (New)		Black	
Side-Steps	Cover	Silver		Black		Black	
Mud Guards		Front + Rear		Front + Rear		Front + Rear	
Air Spats		Front + Rear		Front + Rear		Front + Rear	
INTERIOR							
Cabin Scheme		Chamois / Black		Chamois / Black		Black / Black (New)	
Seat Material		Leather		Premium Fabric		Premium Fabric / Silver	
Door Trim		Leather / Silver		Leather / Silver		Premium Fabric / Silver	
Instrument Panel		High Brightness Metallic + Satin Silver Finish / Black (New)		High Brightness Metallic + Satin Silver Finish / Black (New)		High Brightness Metallic + Satin Silver Finish / Black (New)	
Power Door Lock		With Speed Auto Lock		With Speed Auto Lock		With Speed Auto Lock	

INDUS MOTOR COMPANY LIMITED SPEC SHEET OF FORTUNER		FORTUNER SIGMA 4 (4x4 1GD Hi Diesel)		FORTUNER V (4x4 2TR Hi Petrol)		FORTUNER G (4x4 2TR Std Petrol)	
VEHICLE MODEL CODE		GUN156R-SPTHXP		TGN156R-SPTHXP		TGN166R-SPTSKP	
Push Start		0		0		0	
Smart Entry		Smart Key with Panic Button		Smart Key with Panic Button		Smart Key with Panic Button	
Door Handles		Chrome		Chrome		Chrome	
Window Wipers	Front	Time Adjust Intermittent + Mist		Time Adjust Intermittent + Mist		Time Adjust Intermittent + Mist	
	Rear	Intermittent		Intermittent		Intermittent	
Illuminated Entry System		0		0		0	
Coat Hook		0		0		0	
Shopping Hooks		0		0		0	
Inside Rear View Mirror		Electrochromic Mirror (New)		Electrochromic Mirror (New)		Day & Night	
Sun Visors		D + P + Mirrors w/ Lid and Vanity Lamps		D + P + Mirrors w/ Lid and Vanity Lamps		D + P + Mirrors w/ Lid and Vanity Lamps	
Heater		0		0		0	
Climate Control		Auto A/C		Auto A/C		Auto A/C	
Side Defroster		0		0		0	
Cool & Hot Box		0		0		0	
Head Rests	Front Seats	Separate, D + P		Separate, D + P		Separate, D + P	
	Second Row Seats	Separate, 3		Separate, 3		Separate, 3	
	Third Row Seats	Separate, 2		Separate, 2		Separate, 2	
Rear Armrest		0		0		0	
Front Seats	Type	Separate / Premium		Separate / Premium		Separate / Premium	
	Adjustment System	Powered (Driver-side + Passenger-side)		Powered (Driver-side + Passenger-side) (New)		Manual	
	Slide Adjustment	Driver + Passenger		Driver + Passenger		Driver + Passenger	
	Recline Adjustment	Driver + Passenger		Driver + Passenger		Driver + Passenger	
	Height Adjustment	Driver + Passenger		Driver + Passenger (New)		Driver-Side	
Second Row Seats		With Armrest 60:40 Split, Slide and One-Touch Tumble		With Armrest 60:40 Split, Slide and One-Touch Tumble		With Armrest 60:40 Split, Slide and One-Touch Tumble	
Third Row Seats		50:50 Space-Up with Recline Adjustment		50:50 Space-Up with Recline Adjustment		50:50 Space-Up with Recline Adjustment	
Accessory Connectors	12 V DC	Three Connectors		Three Connectors		Three Connectors	
	220 V AC (100W)	One Connector		One Connector		One Connector	
Steering	Material	Leather Stitched with Wood		Leather Stitched with Wood		Leather Stitched with Wood	
	Type	Hydraulic Power Steering with Variable Flow Control (New)		Hydraulic Power Steering		Hydraulic Power Steering	
	Adjustment System	Tilt & Telescopic		Tilt & Telescopic		Tilt & Telescopic	
	Fingertip Controls	Audio, Tel, VR, MID Premium		Audio, Tel, VR, MID Premium		Audio, Tel, VR, MID Premium	
Speedometer		Premium Optitron with Metallic Blue Dials (New)		Premium Optitron with Metallic Blue Dials (New)		Premium Optitron with Metallic Blue Dials (New)	
Multi Info Display		Large Colour TFT		Large Colour TFT		Large Colour TFT	
Economy Meter		0		0		0	
Infotainment System	Screen	8.95" Capacitive Display (New)		8.95" Capacitive Display (New)		8.95" Capacitive Display (New)	
	Inputs	Bluetooth, Screen Mirroring, Voice Recognition, USB, MIC, WiFi ready, Wired Apple CarPlay® & Android Auto® support (New)		Bluetooth, Screen Mirroring, Voice Recognition, USB, MIC, WiFi ready, Wired Apple CarPlay® & Android Auto® support (New)		Bluetooth, Screen Mirroring, Voice Recognition, USB, MIC, WiFi ready, Wired Apple CarPlay® & Android Auto® support (New)	
	Navigation	No Built-in Navigation		No Built-in Navigation		No Built-in Navigation	
	Speakers	6 Speakers		6 Speakers		6 Speakers	
	WiFi	0		0		0	
	Rear Camera	0		0		0	
Antenna		Shark Fin		Shark Fin		Shark Fin	
SAFETY							
Vehicle Stability Control		With A-TRC + HAC + TSC + DAC + LSD (New)		With A-TRC + HAC + TSC + DAC (New) + LSD (New)		With HAC + TSC	
Drive Start Control		0 (New)		0 (New)		0 (New)	
Tyre-Turning Angle (Shown in MID)		0 (New)		0 (New)		0 (New)	
Emergency Brake Signal		0		0		0	
Light Reminder		0		0		0	
Engine Oil Levelling Warning		0		X		X	
Shift-Lock System		0		0		0	
Anti-Theft System		Immobilizer with Horn		Immobilizer with Horn		Immobilizer with Horn	
Anti-Lock Braking System		0		0		0	
Door Courtesy		Lamp (New)		Lamp (New)		Reflector	
Seatbelts	Front Seats	3-point ELR x 2 + P/T + F/L		3-point ELR x 2 + P/T + F/L		3-point ELR x 2 + P/T + F/L	
	2nd Row Seats	3-point ELR x 3		3-point ELR x 3		3-point ELR x 3	
	3rd Row Seats	3-point ELR x 2		3-point ELR x 2		3-point ELR x 2	
Child-Restraint System	ISOFIX Child Seat Anchors	0		0		0	
SRS Airbags	Front Airbags	Dual (Driver + Passenger)		Dual (Driver + Passenger)		Dual (Driver + Passenger)	
	Knee Airbag	Driver		Driver		Driver	
	On/Off Switch	0		0		0	
	Airbag Indicator	0		0		0	

0 = Applicable X = Not Applicable

INDUS MOTOR COMPANY LIMITED RESERVES THE RIGHT TO ALTER ANY DETAILS OF SPECIFICATIONS AND EQUIPMENT WITHOUT NOTICE. VEHICLES SHOWN AND SPECIFICATIONS MENTIONED HEREIN MAY VARY FROM MODELS AND EQUIPMENT AVAILABLE.

Disclaimer: This brochure is developed to showcase features of FORTUNER SIGMA 4 (4x4 1GD Hi Diesel) only.

TOYOTA SURE
Certified Used Vehicles
Buy. Sell. Exchange.

EXCHANGE WITH EASE.

**TOYOTA SURE
YOUR ONE WINDOW SOLUTION**

- **GET FREE EVALUATION OF YOUR CURRENT VEHICLE**
- **FINALISE THE DEAL**
- **GO WITH YOUR BRAND NEW TOYOTA FORTUNER**



Terms and Conditions Apply
We buy any Used Car in Exchange for a Brand New or Used Certified Toyota



INDUS MOTOR COMPANY LIMITED

It's a Promise



www.toyotasure.com.pk

[@ToyotaSurePk](https://www.facebook.com/ToyotaSurePk)

[@toyotasurepk](https://www.instagram.com/toyotasurepk)

EVERY TOYOTA IS A SYMBOL OF OUR PROMISE FOR QUALITY

At Toyota, for us our customers always come first and their safety is our top priority, which is why when our loyal customers choose to own a Toyota, we make sure that they find trust and peace of mind that they deserve. From 3 years or 100,000 km Mileage Warranty to Unparalleled Quality, from Durability and Reliability (Q.D.R.) to maintenance and grooming, Toyota ensures an unmatched level of safety with Body Reinforcements. We provide ISOFIX Child Seat Anchors and Immobilizer to ensure that every journey with Toyota is secure and satisfying. It is this level of dedication and attention to detail that has made us Pakistan's most loved, reliable and trusted vehicle.

VALUE ADDED SERVICES



Extend your warranty to up to 5 years



Lock in your maintenance contract and stay worry-free



Avail comprehensive insurance plan for a greater peace of mind



SALES



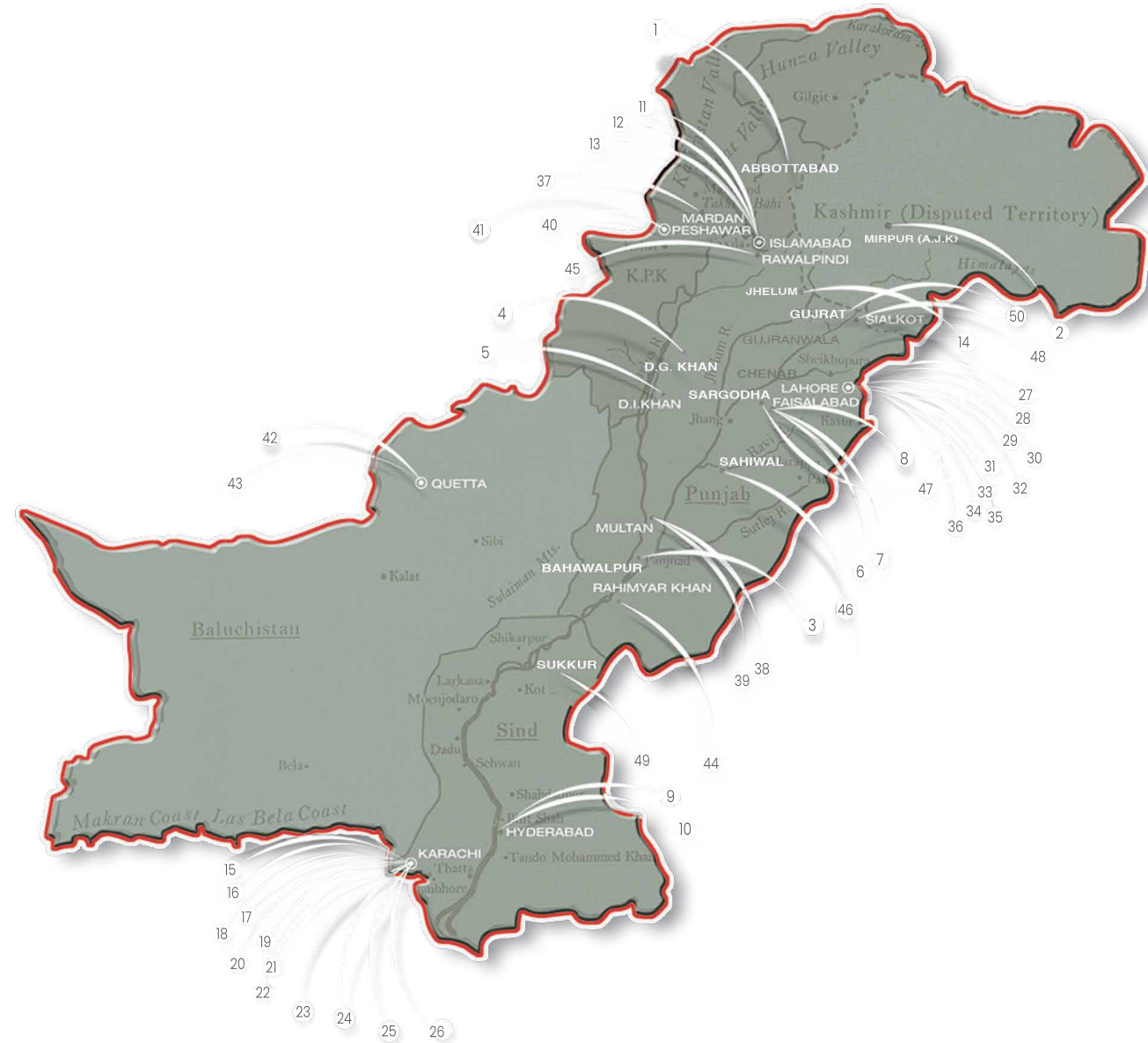
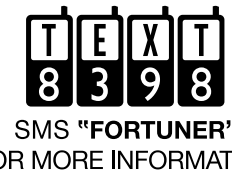
SERVICE



SPARE PARTS



T-SURE



WE ARE PRESENT THROUGHOUT THE NATION

ABBOTTABAD

1. TOYOTA ABBOTT MOTOR - PHONE: (0992) 380882

AZAD KASHMIR

2. TOYOTA AZAD MOTORS - PHONE: (05827) 432803-5 / 434297-99

BAHAWALPUR

3. TOYOTA BAHAWALPUR MOTORS - PHONE: (062) 2889941-42, 111-111-167

D.G. KHAN

4. TOYOTA D.G. KHAN MOTORS - PHONE: (064) 2845626

D.I. KHAN

5. TOYOTA D.I. KHAN MOTORS - PHONE: (0966) 716891 (0966) 716792-3

FAISALABAD

6. TOYOTA FAISALABAD MOTORS - PHONE: (041) 8719902, 8712002, 8712004 (041) 8722002-7 / 111-000-052

7. TOYOTA LYALLPUR MOTORS - PHONE: (041) 8811021-24

8. TOYOTA CHENAB MOTORS - PHONE: (041) 2423790, 2423793

HYDERABAD

9. TOYOTA HYDERABAD MOTORS - PHONE: (022) 3885121-5

10. TOYOTA POINT MOTORS - PHONE: (022) 2661770-3

ISLAMABAD

11. TOYOTA CAPITAL MOTORS - PHONE: (051) 4432027 (051) 4431711 / 111-142-142

12. TOYOTA ISLAMABAD MOTORS - PHONE: (051) 2820533 (051) 2270461-6 / 111-000-037

13. TOYOTA GT MOTORS - PHONE: (051) 2227607, 2227860-4

JHELUM

14. TOYOTA JHELUM MOTORS - PHONE: (0544) 275467-68

KARACHI

15. TOYOTA CENTRAL MOTORS - PHONE: (021) 34311155 (021) 111-786-122 / 34532246-50 / 34536246-49

16. TOYOTA SOCIETY MOTORS - PHONE: (021) 34381027 / 34383213-4 / 111-786-113

17. TOYOTA EASTERN MOTORS - PHONE: (021) 34614077 / 34614177

18. TOYOTA UNIVERSITY MOTORS - PHONE: (021) 34940417 / 34941747

19. TOYOTA SOUTHERN MOTORS - PHONE: (021) 111-876-111 / 35062478 / 35053181-6

20. TOYOTA DEFENCE MOTORS - PHONE: (021) 111-836-836 / 35888314 / 35386022-7 (021) 32020583

21. TOYOTA WESTERN MOTORS - PHONE: (021) 32572420 (021) 32564531-5 / 111-800-786

22. TOYOTA SHAHRAH-E-FAISAL MOTORS - PHONE: (021) 34600518-20

23. TOYOTA HIGHWAY MOTORS - PHONE: (021) 36880702-04 / 111-009-000

24. TOYOTA CREEK MOTORS - PHONE: (021) 35092211-3

25. TOYOTA CLIFTON MOTORS - PHONE: (021) 35302523

26. TOYOTA PORT QASIM MOTORS - PHONE: (021) 38910507-9

LAHORE

27. TOYOTA RAVI MOTORS - PHONE: (042) 35426961-64, 37580705, 111-700-900

28. TOYOTA SHAHEEN MOTORS - PHONE: (042) 37566296-98 / 111-300-700

29. TOYOTA TOWNSHIP MOTORS - PHONE: (042) 35885014 / 111-393-939

30. TOYOTA SAHARA MOTORS - PHONE: (042) 37576218 / 37581253 (042) 111-383-838 / 37597670 (D)

31. TOYOTA GARDEN MOTORS - PHONE: (042) 111-595-959 / 35868256

32. TOYOTA WALTON MOTORS - PHONE: (042) 111-008-009 / 36662981-82

33. TOYOTA CANTT MOTORS - PHONE: (042) 36613401-10

34. TOYOTA AIRPORT MOTORS - PHONE: (042) 111-880-990

35. TOYOTA JINNAH MOTORS - PHONE: (042) 111-119-696

36. TOYOTA HN MOTORS - PHONE: (042) 111-000-095

MARDAN

37. TOYOTA MARDAN MOTORS - PHONE: (0937) 873005 (0937) 873001-4

MULTAN

38. TOYOTA MULTAN MOTORS - PHONE: (061) 6522481 (061) 6522482-83 / 111-111-343

39. TOYOTA CITY MOTORS - PHONE: (061) 4580792 (061) 111-111-342 / 4541925 / 4580793 / 4542488

PESHAWAR

40. TOYOTA FRONTIER MOTORS - PHONE: (091) 5701002-5 / 5841626 / 111-235-236

41. TOYOTA KHYBER MOTORS - PHONE: (091) 2586931-4

QUETTA

42. TOYOTA ZARGHOON MOTORS - PHONE: (081) 2450444

43. TOYOTA QUETTA MOTORS - PHONE: (081) 111-876-876

RAHIMYAR KHAN

44. TOYOTA ROYAL MOTORS - PHONE: (068) 5885090-92

RAWALPINDI

45. TOYOTA RAWAL MOTORS - PHONE: (051) 4917214 (051) 4917200-4

SAHIWAL

46. TOYOTA SAHIWAL MOTORS - PHONE: (040) 4502345-6 (042) 111-700-900

SARGODHA

47. TOYOTA SARGODHA MOTORS - PHONE: (048) 3221801-02 / 111-222-456

SIALKOT

48. TOYOTA SIALKOT CITY MOTORS - PHONE: (052) 3308131-33 & 37

SUKKUR

49. TOYOTA SUKKUR MOTORS - PHONE: (024) 3558141-43 / (071) 111-785-587

GUJRAT

50. TOYOTA GUJRAT MOTORS - PHONE: (053) 111-111-153

